

Dieter's Nixie Tube Data Archive

This file is a part of Dieter's Nixie- and display tubes data archive

If you have more datasheets, articles, books, pictures or other information about Nixie tubes or other display devices please let me know.

Thank you!

Document in this file	Philips datasheet: ZM1020
Display devices in this document	ZM1020, ZM1020/01

INDICATOR TUBE

Long life cold cathode ten digit numeral indicator tube for top viewing.

QUICK REFERENCE DATA

Numeral height	15	mm
Numerals	1 2 3 4 5 6 7 8 9 0	
Supply voltage	min. 170	V
Anode current	2	mA

GENERAL

The numerals are 15 mm high and appear on the same base line allowing in-line read out. The ZM1020 is provided with a red contrast filter.

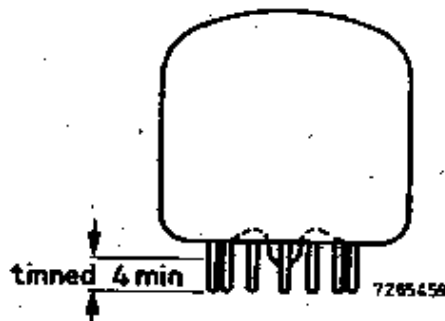
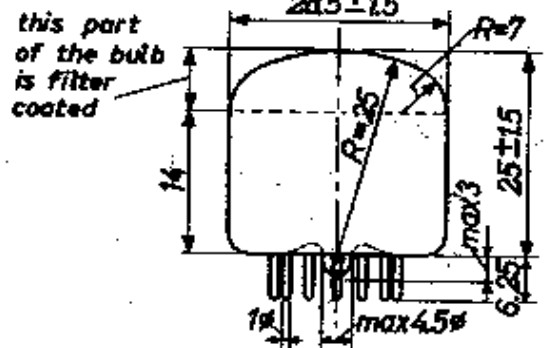
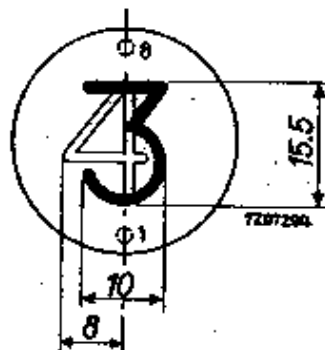
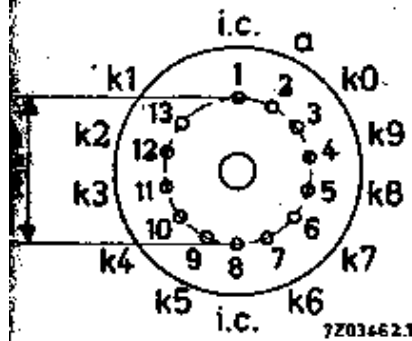
The ZM1020/01 is identical with the ZM1020 but has tinned pins.

PRINCIPLE OF OPERATION

The tube contains ten cathodes in the form of ten figures and one common anode. By applying a suitable voltage between the anode and one of the ten cathodes the corresponding numeral will be covered by a red neon glow.

DIMENSIONS AND CONNECTIONS

Base: B13B



ZM1020/01